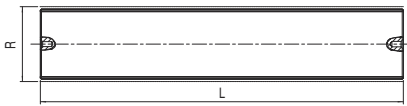


SIT timing bars - IMPERIAL PITCH

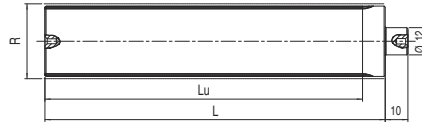
Pitches MXL - XL - L

“MXL” timing bars are made of 6082 aluminum suitable for hard anodizing treatment.

“XL” and “L” timing bars are made of C45 steel and of 6082 aluminum suitable for hard anodizing treatment.



1



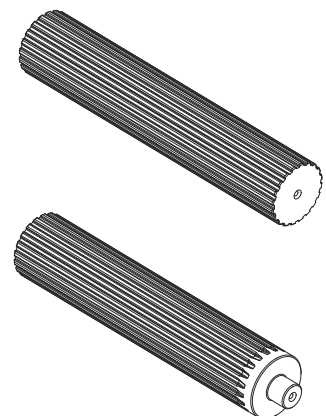
3

Dimensions

MXL 0,080" (2,032 mm)					
ALUMINUM					
Code	Teeth nr.	Type	R [mm]	Lu [mm]	L [mm]
BAR10MXL*	10	3	6,47	50	75
BAR11MXL*	11	3	7,11	50	75
BAR12MXL	12	3	7,76	50	75
BAR13MXL*	13	3	8,41	50	75
BAR14MXL	14	3	9,06	50	75
BAR15MXL	15	3	9,70	50	75
BAR16MXL	16	3	10,35	50	75
BAR17MXL*	17	3	11,00	50	75
BAR18MXL	18	3	11,64	50	75
BAR19MXL*	19	3	12,29	90	120
BAR20MXL	20	3	12,94	90	120
BAR21MXL*	21	3	13,58	90	120
BAR22MXL	22	3	14,23	125	140
BAR23MXL*	23	3	14,88	125	140
BAR24MXL	24	3	15,52	125	140
BAR25MXL	25	3	16,17	125	140
BAR26MXL	26	3	16,82	125	140
BAR27MXL*	27	3	17,46	125	140
BAR28MXL	28	3	18,11	125	140
BAR29MXL*	29	3	18,76	125	140
BAR30MXL	30	3	19,40	125	140
BAR32MXL	32	3	20,70	125	140
BAR34MXL	34	3	21,99	125	140
BAR35MXL*	35	3	22,64	132	140
BAR36MXL	36	3	23,29	132	140
BAR38MXL	38	3	24,58	132	140
BAR40MXL	40	3	25,87	132	140
BAR42MXL	42	3	27,17	140	140
BAR44MXL	44	3	28,46	140	140
BAR45MXL	45	3	29,11	140	140
BAR48MXL	48	3	31,05	140	140
BAR50MXL*	50	3	32,34	140	140
BAR60MXL	60	3	38,81	160	160
BAR64MXL*	64	3	41,40	160	160
BAR65MXL*	65	3	42,04	160	160
BAR70MXL	70	3	45,28	160	160
BAR72MXL	72	3	46,57	160	160
BAR75MXL*	75	3	48,51	160	160
BAR90MXL*	90	3	58,21	160	160
BAR110MXL*	110	3	71,15	160	160

XL 1/5" (5,08 mm)					
STEEL - ALUMINUM					
Code	Teeth nr.	Type	R [mm]	Lu [mm]	L [mm]
BAR10XL	10	1	16,17	140	140
BAR11XL	11	1	17,79	140	140
BAR12XL	12	1	19,4	140	140
BAR13XL	13	1	21,02	140	140
BAR14XL	14	1	22,64	140	140
BAR15XL	15	1	24,25	140	140
BAR16XL	16	1	25,87	140	140
BAR17XL	17	1	27,49	140	140
BAR18XL	18	1	29,11	140	140
BAR19XL	19	1	30,72	140	140
BAR20XL	20	1	32,34	140	140
BAR21XL	21	1	33,96	160	160
BAR22XL	22	1	35,57	160	160
BAR23XL	23	1	37,19	160	160
BAR24XL	24	1	38,81	160	160
BAR25XL	25	1	40,43	160	160
BAR26XL	26	1	42,04	160	160
BAR27XL	27	1	43,66	160	160
BAR28XL	28	1	45,28	160	160
BAR29XL	29	1	46,89	160	160
BAR30XL	30	1	48,51	160	160
BAR32XL	32	1	51,74	160	160
BAR33XL	33	1	53,36	160	160
BAR34XL	34	1	54,98	160	160
BAR35XL	35	1	56,6	160	160
BAR36XL	36	1	58,21	160	160
BAR38XL	38	1	61,45	160	160
BAR39XL	39	1	63,06	160	160
BAR40XL	40	1	64,68	160	160
BAR41XL	41	1	66,3	160	160
BAR42XL	42	1	67,91	160	160
BAR43XL	43	1	69,53	160	160
BAR44XL	44	1	71,15	160	160
BAR48XL	48	1	77,62	160	160
BAR56XL	56	1	90,55	160	160
BAR60XL	60	1	97,02	160	160
BAR72XL	72	1	116,43	160	160

L 3/8" (9,525 mm)					
STEEL - ALUMINUM					
Code	Teeth nr.	Type	R [mm]	Lu [mm]	L [mm]
BAR10L	10	1	30,32	140	140
BAR11L	11	1	33,35	140	140
BAR12L	12	1	36,38	160	160
BAR13L	13	1	39,41	160	160
BAR14L	14	1	42,45	160	160
BAR15L	15	1	45,48	160	160
BAR16L	16	1	48,51	160	160
BAR17L	17	1	51,54	160	160
BAR18L	18	1	54,57	160	160
BAR19L	19	1	57,61	160	160
BAR20L	20	1	60,64	160	160
BAR21L	21	1	63,67	160	160
BAR22L	22	1	66,7	160	160
BAR23L	23	1	69,73	160	160
BAR24L	24	1	72,77	160	160
BAR27L	27	1	81,86	160	160
BAR30L	30	1	90,96	160	160



1

3

*= available on demand

Part Number **BAR 40 XL / AC**

Timing Bar _____

Teeth number _____

Pitch _____

Material - AC: steel; AL: aluminum _____